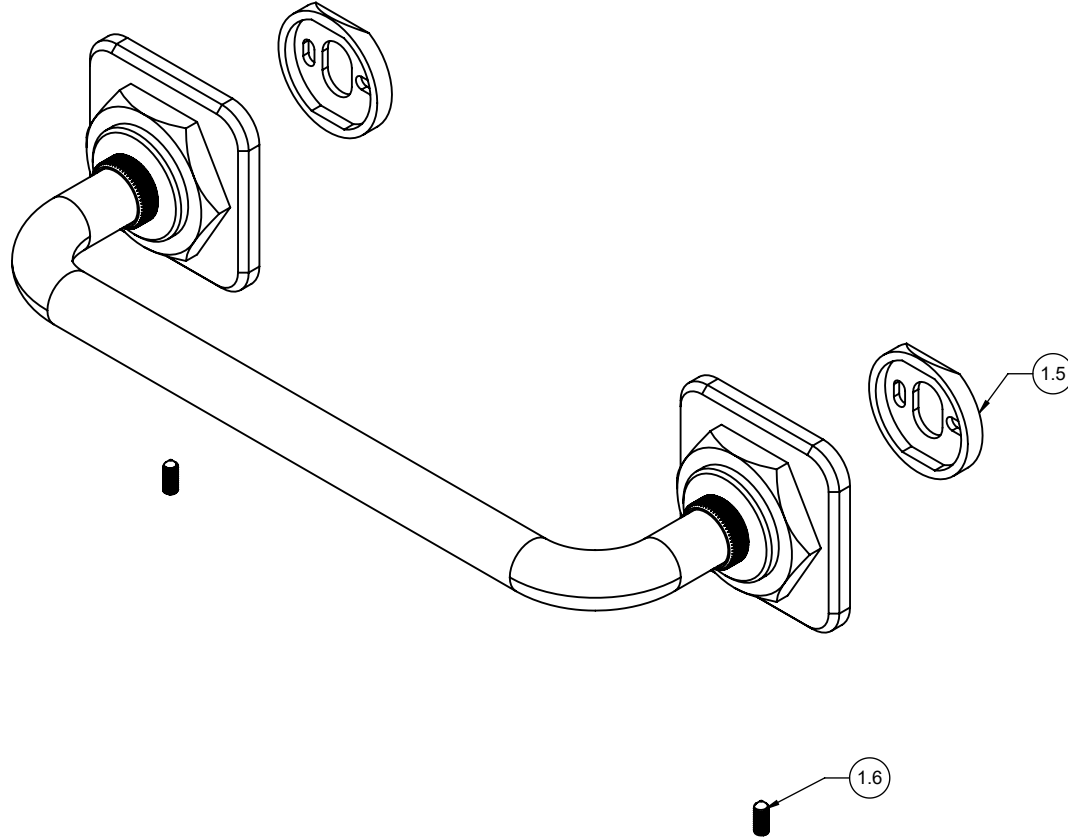


85-9
85-18
85-24



To order spare parts add and/or replace as stated below:

SPD- prefix added to part number(s)

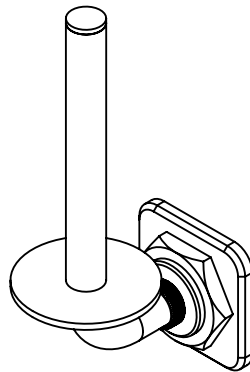
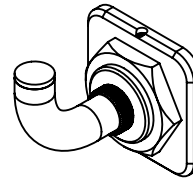
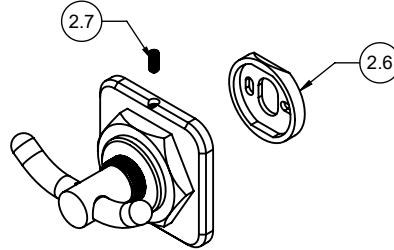
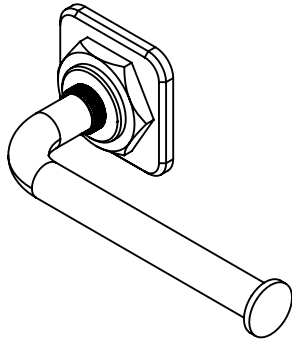
-ZZ replaced with finish code (see finish table)

-WW replaced with **-90** (light finish) or **-96** (dark finish)

Ex: **SPD-7-100463-PC** or **SPD-86030-96**

ITEM	PART NO	DESCRIPTION	QTY.	
1.5	880367-97	WALL MOUNT, ø37 W/2 BEVELS, ACC	2	
1.6	86230-90	SETSCREW M4X0.7 X 10MM SCKT HD CONE PT SS	2	
1.7	86154-81	ANCHOR, TOGGLE, 3/8"-1/2" WALL	4	
1.9	882811-99	SCREW, FLAT HEAD, PHILLIPS SHEET METAL, 8 X 1-1/2" FOR ACCESS	4	
for ITEM 1.6	1.10	880003-92	KEY, ALLEN, 2MM	1

85-RH
85-DRH
85-STP
85-VTP



To order spare parts add and/or replace as stated below:

SPD- prefix added to part number(s)

-ZZ replaced with finish code (see finish table)

-WW replaced with **-90** (light finish) or **-96** (dark finish)

Ex: **SPD-7-100463-PC** or **SPD-86030-96**

ITEM	PART NO	DESCRIPTION	QTY.	
2.6	880367-98	WALL MOUNT, Ø37 W/2 BEVELS, ACC	1	
2.7	86230-90	SETSCREW M4X0.7 X 10MM SCKT HD CONE PT SS	1	
2.8	86154-81	ANCHOR, TOGGLE, 3/8"-1/2" WALL	2	
2.10	882811-99	SCREW, FLAT HEAD, PHILLIPS SHEET METAL, 8 X 1-1/2" FOR ACCESS	2	
for ITEM 2.7	2.11	880003-92	KEY, ALLEN, 2MM	1